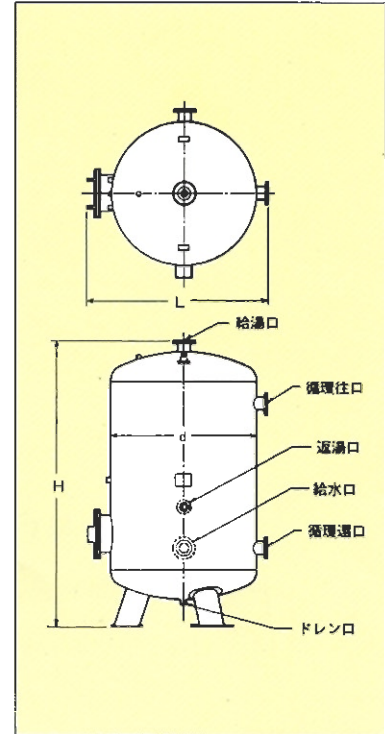


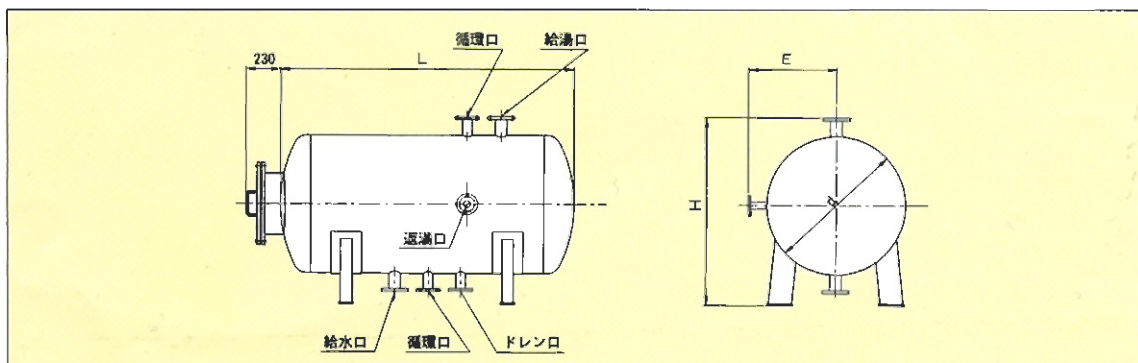
■WT-Vシリーズ(縦型)の寸法・形状

型式	貯湯容量 (ℓ)	寸法(mm)			質量 (kg)	推奨循環ポンプ容量 口径 容量 (A) × (kW)	所要 循環量 (ℓ/min)	熱源容量 (kW) [参考]
		d	L	H				
WT-5SV	500	800	1,181	1,684±20	255	25A×0.25kW	25	52,000
WT-10SV	1,000	900	1,281	2,350±20	330	25A×0.25kW	50	105,000
WT-15SV	1,500	1,000	1,381	2,564±20	375	32A×0.25kW	75	157,000
WT-20SV	2,000	1,200	1,581	2,446±20	420	32A×0.25kW	100	209,000
WT-25SV	2,500	1,200	1,581	2,946±20	485	32A×0.25kW	125	262,000
WT-30SV	3,000	1,300	1,681	2,986±20	550	40A×0.25kW	150	314,000
WT-35SV	3,500	1,400	1,781	3,026±20	600	40A×0.4kW	175	366,000
WT-40SV	4,000	1,500	1,881	2,966±20	645	40A×0.4kW	200	419,000
WT-45SV	4,500	1,500	1,881	3,266±20	695	40A×0.75kW	225	471,000
WT-50SV	5,000	1,600	1,981	3,204±20	725	40A×0.75kW	250	523,000
WT-60SV	6,000	1,600	1,981	3,704±20	810	40A×1.5kW	300	628,000
WT-70SV	7,000	1,702	2,083	3,848±20	920	50A×0.75kW	350	733,000
WT-80SV	8,000	1,804	2,185	3,888±20	1,030	50A×1.5kW	400	837,000
WT-90SV	9,000	1,904	2,285	3,930±20	1,105	65A×1.5kW	450	942,000
WT-100SV	10,000	2,004	2,385	3,968±20	1,170	65A×1.5kW	500	1,047,000



■WT-Hシリーズ(横型)の寸法・形状

型式	貯湯容量 (ℓ)	寸法(mm)				質量 (kg)	推奨循環ポンプ容量 口径 容量 (A) × (kW)	所要 循環量 (ℓ/min)	熱源容量 (kW) [参考]
		d	L	E	H				
WT-5SH	500	800	1,314±20	524	1,128	240	25A×0.25kW	25	52,000
WT-10SH	1,000	900	1,930±20	574	1,228	310	25A×0.25kW	50	105,000
WT-15SH	1,500	900	2,656±20	574	1,228	375	32A×0.25kW	75	157,000
WT-20SH	2,000	1,000	2,794±20	624	1,328	445	32A×0.25kW	100	209,000
WT-25SH	2,500	1,000	3,394±20	624	1,328	510	32A×0.25kW	125	262,000
WT-30SH	3,000	1,100	3,386±20	674	1,428	540	40A×0.25kW	150	314,000
WT-35SH	3,500	1,200	3,326±20	724	1,528	590	40A×0.4kW	175	366,000
WT-40SH	4,000	1,200	3,776±20	724	1,528	645	40A×0.4kW	200	419,000
WT-45SH	4,500	1,200	4,226±20	724	1,528	705	40A×0.75kW	225	471,000
WT-50SH	5,000	1,300	4,066±20	774	1,628	730	40A×0.75kW	250	523,000
WT-60SH	6,000	1,400	4,206±20	824	1,728	815	40A×1.5kW	300	628,000
WT-70SH	7,000	1,500	4,246±20	874	1,828	875	50A×0.75kW	350	733,000
WT-80SH	8,000	1,600	4,284±20	924	1,928	930	50A×1.5kW	400	837,000
WT-90SH	9,000	1,600	4,784±20	924	1,928	970	65A×1.5kW	450	942,000
WT-100SH	10,000	1,600	5,284±20	924	1,928	1,130	65A×1.5kW	500	1,047,000



※詳細仕様・寸法は別途承認図を御要求ください。